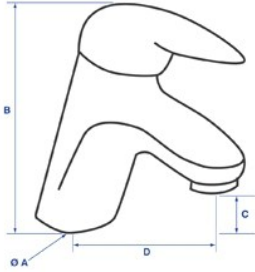




## Signia Monobloc Basin Mixer with Click Waste

### Monobloc Basin Mixer



Code	Description	A	B	C	D
4L2103	Signia Monobloc Basin Mixer	50	138	53	125 crs

*Pegler Yorkshire reserve the right to change specifications*

### 10 Year Guarantee Luxury Taps and Mixers

#### Pegler Yorkshire Customcare 10 Year Guarantee - Terms and Conditions

Product are subject to a 10 year guarantee that is between Pegler Yorkshire and the final purchaser of the product.

The guarantee is subject to proof of purchase being supplied.

This guarantee does not affect any statutory rights the consumer may have in law.

The guarantee covers manufacturing or material defects and does not cover parts subject to normal wear and tear.

Finishes other than chrome are covered for a period of 3 years only and the guarantee on the finish is subject to the cleaning instructions being followed.

The guarantee is not applicable where the product is fitted contrary to the conditions in the fitting instructions.

Abusive behaviour and accidental damage to the product are not covered by this guarantee.

The extent of this liability is limited to the cost of the replacement of the defective item and not to fitting or consequential damages.

Description	Minimum Operating Pressure (bar)	Maximum Cold Working Pressure (bar)	Maximum Hot Working Pressure (bar)
Monobloc Basin Mixer	0.1 bar	6.0 bar at temperatures up to 85oC	Not Suitable for Maximum Hot Working Pressure

### Care

To maintain the surface finish, simply wipe occasionally with a mild detergent on a soft damp cloth. Dry, using a soft cloth. Never use abrasive cleaners or chemical household cleaners and avoid contact with concentrated bleach.

### Maintenance

No regular maintenance is required for this product.

In case of complete replacement Pegler recommend service valves should be fitted to the supply inlets.

For any further help or replacement parts please contact the Service Support Team on 0800 1560050.

### Regulations

It is important to ensure that the water supplies to your taps and mixers are connected in accordance with the water regulations (WRAS) requirements and good plumbing practice.

It is Pegler's recommendation and good plumbing practice that the supplies of hot and cold water to the mixer should be at equal (balanced) pressures in order to provide a consistent flow. Supplies should be from a common source, either mains or tank fed. If supplies are not equal pressures then non return valves should be fitted.

Component	Material
Body	Brass with Chrome Plate

Headwork

Ceramic Disc

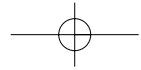
Clamping Plate/Nut

Brass

Clamping Stud

Stainless Steel

Pegler Yorkshire Group Ltd, St Catherine's Ave, Doncaster, S Yorkshire, DN4 8DF  
Telephone: Phone +44 (0) 844 243 4400 Fax: +44 (0) 844 243 9870 Website: [www.pegler-yorkshire.co.uk](http://www.pegler-yorkshire.co.uk)  
Registered office : Pegler Yorkshire Group Ltd, St Catherine's Ave, Doncaster, S Yorkshire, DN4 8DF Company no : 00401507



## MONOBLOC BASIN MIXER

Pegler Basin mixers are supplied with separate inlet tails. M12 flexible tails 12" long

1. screw inlet tails into body and tighten up ensuring 'O' ring seal is firmly in place and leak proof, unless pre fitted securing studs to be fitted and tighten
2. Locate seal under flange (or base of monobloc).
3. Place fittings through hole in ware. Place washer over inlet tails and position on underside of ware. Place clamping plate on threaded stud/s ensuring that stud is positioned in the slot in the clamping plate and that the inlet tails are positioned in the cut out. Place fixing nut onto threaded studs and loosely tighten firmly up the base of ware / worktop.
4. Insert click waste
5. Ensure pipework is thoroughly flushed to remove debris before connecting to the fitting, Connect to the water supplies.

## DECK BATH FILLER/ BATH SHOWER MIXER

1. Remove backnut from tail and fit tails through taps holes of bath ensuring base rubber is trapped between bath and fitting.
2. After thoroughly flushing, connect pipe work to the inlet supplies
3. Fit shower hose and kit to the bath mixer.
4. For all brassware supplied without handles, see separate handles instructions.

5. For servicing or handle realignment the brassware supplied will be:

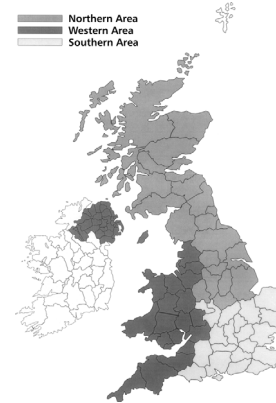
- Snap on (push on –pull off)
- Fixed with a locating screw
- Fixed handle and spindle

6. Fixing the kit to Bath Shower mixers

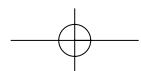
- Marke the holes and drill with 6mm bore
- Insert plugs and fasten screw
- Click on the shell and connect the shower hose

## CARE & MAINTENANCE

To maintain the surface finishes, simply wipe occasionally with a mild detergent on soft damp cloth. Dry using soft cloth, never use abrasive cleaners or chemical household cleaners, avoid contact with concentrated bleach. Signia products are manufactured to the highest standards and should require little or no maintenance. In the unlikely event of any spare part requirements, please contact your nearest stockist or the Pegler Sales Office,

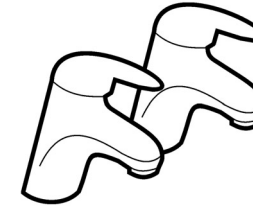


St. Catherine's Avenue, Doncaster, DN4 8DF, telephone; 01302 560560.

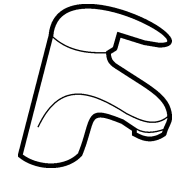


Your Guide to the installation,  
care and maintenance of

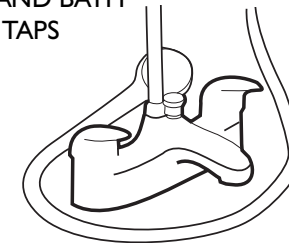
# Signia



BASIN AND BATH  
PILLAR TAPS



BASIN MONOBLOC



BATH SHOWER MIXER

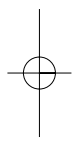


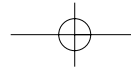
BATH FILLER

francis  
pegler



Pegler Limited, St. Catherine's Avenue, Doncaster. DN4 8DF  
Telephone: 01302 560560 Fax: 01302 367661





## WATER REGULATIONS REQUIREMENTS

It is important to ensure that the water supplies to your taps and mixers are connected in accordance with the water regulations (WRAS) requirements and good plumbing practice.

It is Pegler recommendation and good plumbing practice that the supplies of hot and cold water to the bath mixer should be at equal (balanced) pressures in order to provide a consistent flow. Supplies should be from a common source, either mains or tank fed. If supplies are not equal pressures then non return valves (801 check valves), (not supplied) should be fitted in each inlet supply line.

The outlet of the fitting must be at least 25mm above the spill over level of the bath.

It is recommended that in all new and refurbishment installations a thermostatic mixing valve should be installed on the hot inlet supply. The thermostatic mixing valve is designed to prevent scolding when using the hot water supply.

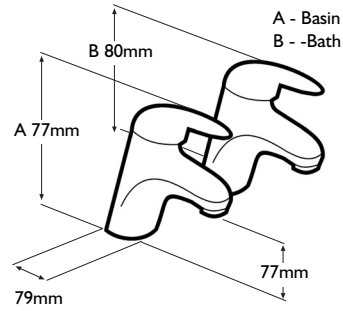
## WATER SUPPLY PRESSURE

Pegler fittings have been designed to function under the following conditions.

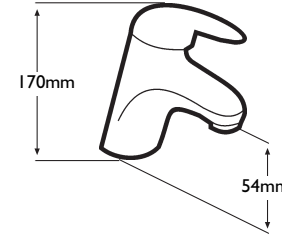
- Minimum supply pressure 0.1 bar
- Maximum supply pressure 6 bar

Should excessive flow be experienced, then it may be necessary to install a Pressure reducing valve (not supplied).

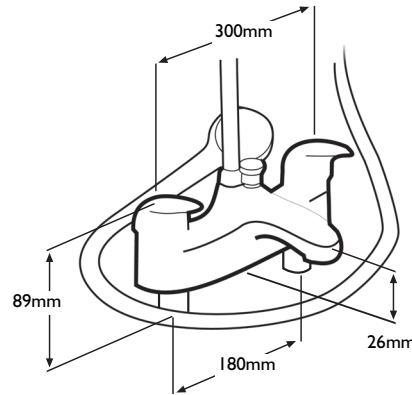
It is our recommendation and good plumbing practice that a service valve (fig.806) should be installed in the inlet supply line.



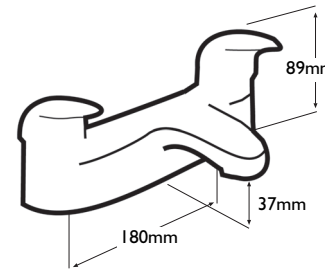
4L2101 SIGNIA CP BASIN  
4L2102 SIGNIA CP BATH TAP PAIR



4L2103 SIGNIA CP MONOBLOC BASIN  
MIXER WITH CLICK WASTE



4L2104 SIGNIA CP DECK PATTERN  
BATH FILLER  
4L2105 SIGNIA CP DECK PATTERN  
BATH SHOWER MIXER INC KIT



4L2102 SIGNIA CP DECK BATH FILLER

## PRE-INSTALLATION CHECKS

1. Ensure that there is sufficient space to install the product without it hampering its operation. Ensure that when fitting the bath product that the product will not foul on the overflow. When fitting in a corner position make sure there is sufficient clearance for the use of the handles
2. 2. Ensure that the outlet will protrude sufficiently into the bath and will clear any obstructions
3. When installing the product the hot inlet should be on the left hand side and the cold on the right hand side when viewed from the front.

## PILLAR TAPS ( BASIN & BATH)

1. Remove backnut from tail
2. Fit tap through ware ensuring 'O' ring washer or anti rotational position between flange base and ware.
3. Thoroughly flush pipe work and connect to tap by replacing and tightening backnut. It may be necessary to install a plug washer between ware and backnut.
4. For all brassware supplied without handles, see separate handles instructions.

For servicing or handle realignment, the brassware supplied with handles will either be snap on- (Push on, pull off), or fixed with locating screw

